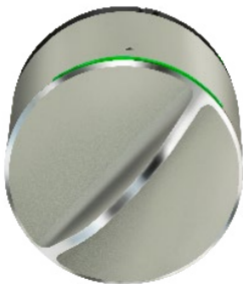




# Danalock V3 SCANDI

## Mounting guide



[www.danalock.com](http://www.danalock.com)

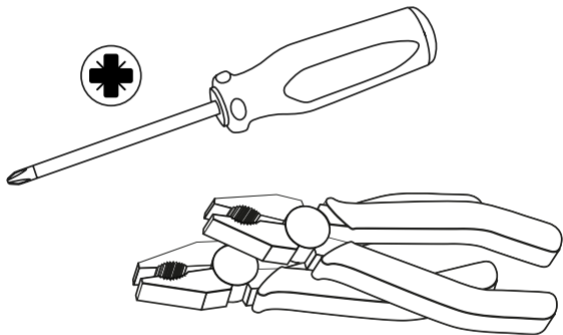
# Table of contents

Tools needed	page	4
Parts involved	page	5
1. Secure the front lock	page	6
2. Remove the inside thumb-turn	page	7
3. Normal tailpiece length	page	8
4. Tailpiece too short - insert a new	page	9
5. Remove the paper from the stickers	page	10
6. Mounting the backplate on the door	page	11
7. Give the tailpiece the right length	page	12
8. Attach the tailpiece adaptor	page	13
9. Fit and fasten the Danalock	page	14

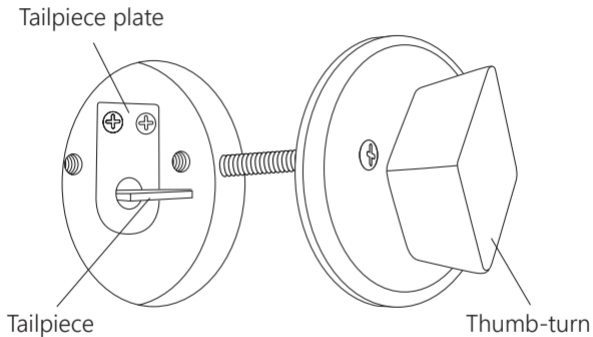
# Table of contents

10. Align the platemarks	page	15
11. Fasten the Danalock	page	16
12. Activate batteries	page	17
13. Before downloading the app	page	18
14. Download the Danalock app	page	19
15. Open the Danalock app	page	20
16. Dismount instructions	page	21
17. LED-Signals	page	22
18. How to operate the Danalock V3 with click-commands	page	23

**Tools needed:**

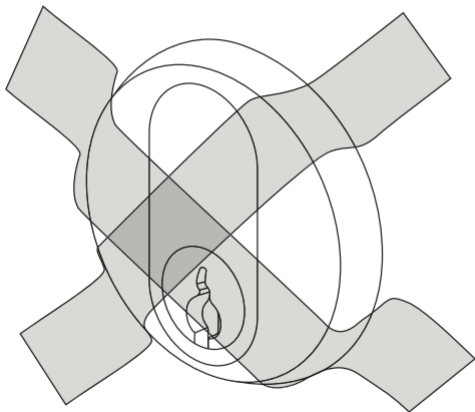


## Parts involved:



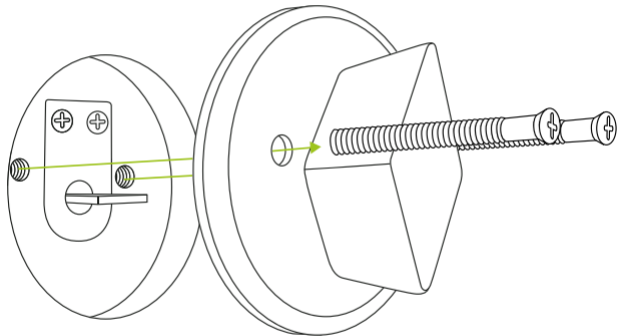
## 1. Secure the front lock

Before removing your existing lock, use tape to secure the outside keyhole. This will keep it in place as you remove the screws on the inside.



## 2. Remove the inside thumb-turn

First you have to remove the inside thumb-turn. Set aside the screws. You'll reinstall them in step 5.



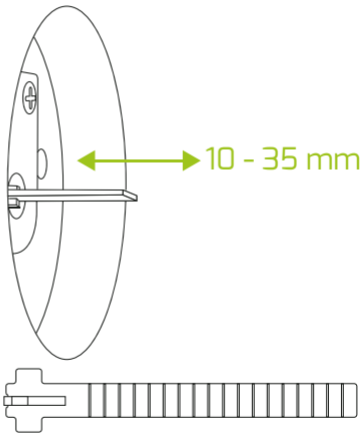
### 3. Normal tailpiece length

Most doors have tailpieces that extend 10 mm from the doorplate. They will fit the Danalock without need for any adjustments to their length!

If the tailpiece is less than 10 mm from the door surface, an extra tailpiece can be found in the Danalock box. (See illustration p. 10).

The Danalock V3 works with a tailpiece length up to 35 mm at maximum.

If the tailpiece length exceeds 35 mm you will have to shorten it. (See illustration p. 12).

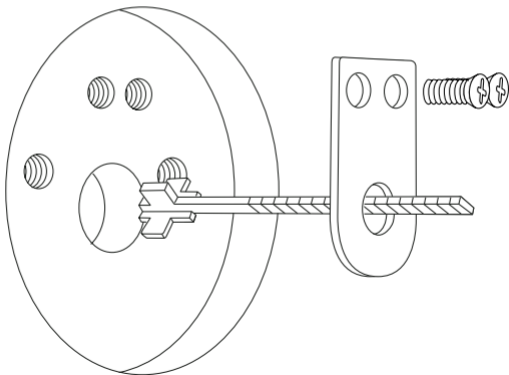




#### 4. Tailpiece too short - insert a new one

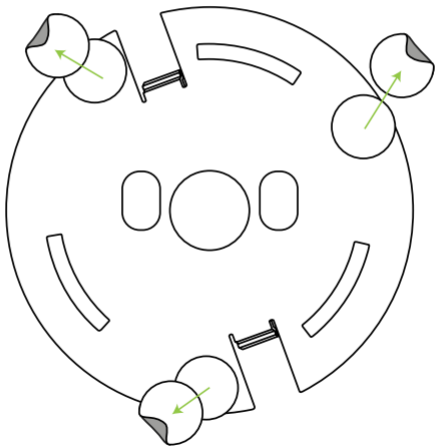
If the tailpiece is less than 10 mm you have to remove the plate that holds the tailpiece and replace it with the tailpiece from the Danalock box.

You then need to shorten the new tailpiece after you have mounted the back plate. (Read more on p. 12).



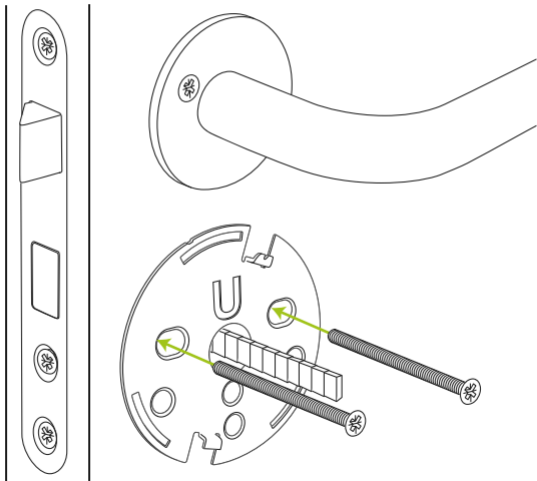
## 5. Remove the paper from the stickers

Find the backplate in the Danalock box and remove the paper from the three stickers on the backside of the backplate.



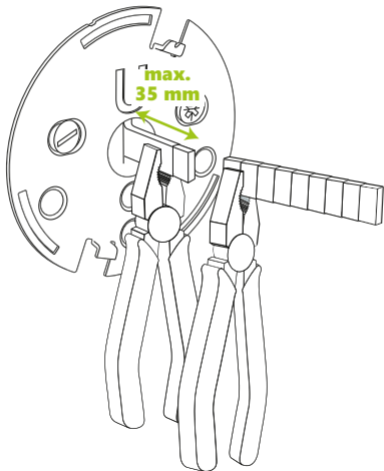
## 6. Mounting the backplate on the door

Place the backplate where the thumb-turn used to be. The round hole in the middle is for the tailpiece. Use the 2 screws from the thumb-turn to attach the backplate.



## 7. Give the tailpiece the right length

To avoid damaging the Danalock you will have to shorten the new tailpiece to max. 35 mm from the door surface. Use two pliers or a wire cutter to shorten the tailpiece.



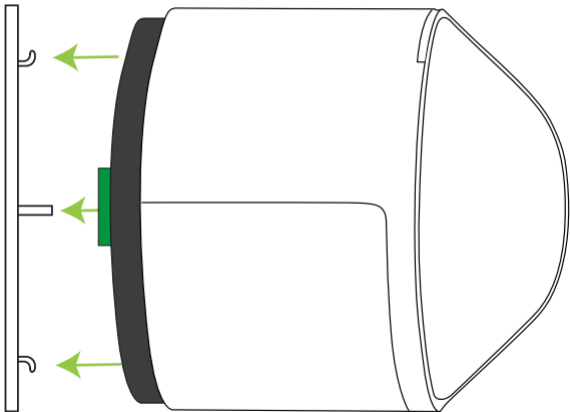
## 8. Attach the tailpiece adaptor

Choose the green tailpiece adaptor from the Danalock box and insert the tailpiece adaptor in the center tube on the backside of the Danalock. Press on the adaptor until a click ensures it is fixed firmly to the Danalock.



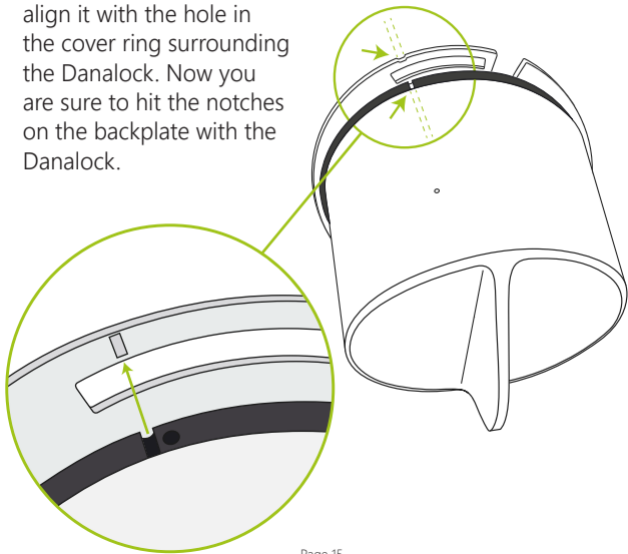
## 9. Fit and fasten the Danalock

Fit the Danalock over the backplate with the battery cover facing down, the tailpiece sliding into the adapter and the backplate notches into the back of the lock.



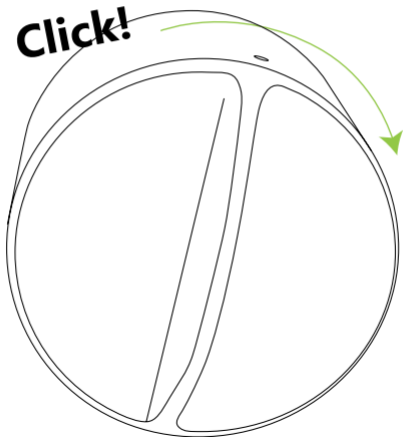
## 10. Align the platemarks

Find the small marking at the edge of the backplate and align it with the hole in the cover ring surrounding the Danalock. Now you are sure to hit the notches on the backplate with the Danalock.



## 11. Fasten the Danalock

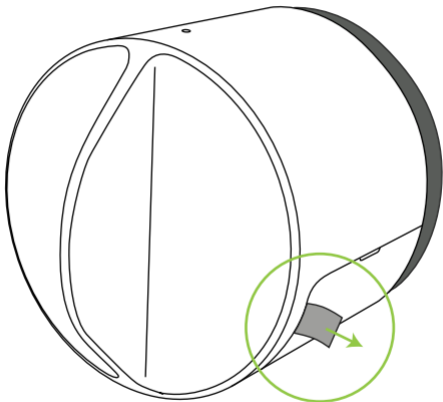
Turn the Danalock clockwise until it clicks to fasten it to the backplate. **NOTE:** If you need to unfasten and retry, see “Uninstall instructions” on p. 22.





## 12. Activate batteries

Pull out the plastic tab to activate the batteries.  
A light will flash to confirm the Danalock is ready.

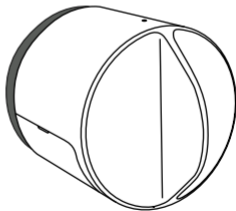
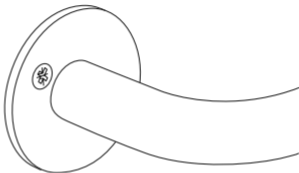


**Note:** If the batteries are disconnected, you will have to re-calibrate the Danalock.

### 13. Before downloading the app

Your Danalock is now attached to the door. Download and open the Danalock app to finish setting it up.

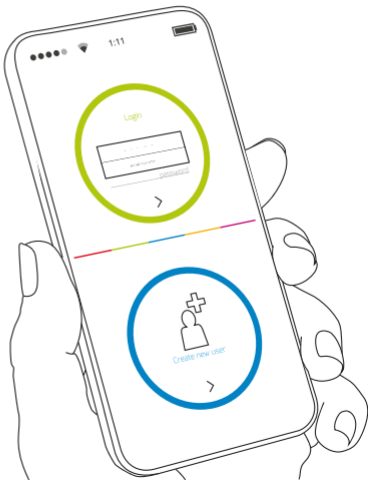
Leave the door open, so the lock isn't influenced when calibrated.



## 14. Download the Danalock app

Go to Google Play or App Store and download the Danalock app. When the app is installed you create a user profile by pressing the blue ring. You will use this profile each time you sign into the app.

If you have a user profile use the green ring.



## 15. Add the lock in the Danalock app

When you have logged in you will see your empty keychain. Press "Add lock" at the bottom of the screen.

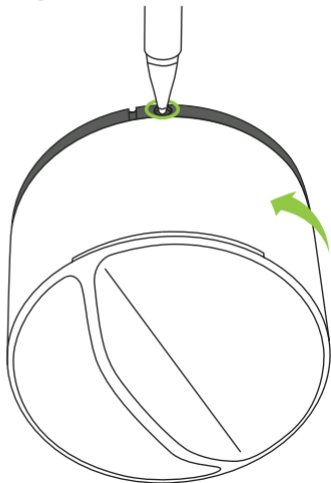
A guide will now lead you through the installation and configuration of your Danalock.



## 16. Dismount instructions

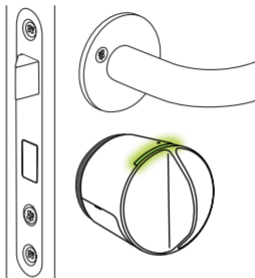
If at any time you need to dismount the Danalock from your door, insert a pen tip into the hole at the top inner edge of the lock and press while turning the lock counter-clockwise until the lock releases.







This will not reset the lock or disconnect it from your account, but the lock may need to be re-calibrated if fastened to your door again.



## 17. LED-Signals

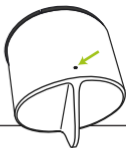
A LED light on the Danalock indicates the status of several operations with different colours:



LED-Mode	LED colour	Status indication
Constant red till light finishes		Lock has successfully locked
Constant green till light finishes		Lock has successfully unlocked
Constant white for 3 seconds		Power on. Batteries are activated
Red light flashes every 5 minute		Critical battery level
Constant purple		Firmware is being updated
Blue light flashes		Settings are changed/saved

## 18. How to operate the Danalock V3 with click-commands

You can control the Danalock via a switch reached through the small hole on top of the lock. You have 5 seconds before the Danalock engages the activity, giving you plenty of time to click the switch the right number of times. Notice: If you make a wrong number of clicks you can cancel by clicking 7 times.



<b>Clicks:</b>	<b>Colour:</b>	<b>Activity:</b>
<u>1x</u>	Green	Set the Danalock in ex/inclusion mode (Zigbee,Z-Wave) When you need to set the Danalock in ex/inclusion mode, click the switch one time, wait 5 seconds until the Danalock blinks green. Now it is in ex/inclusion mode and you have 30 seconds to pair the Danalock with a gateway.
<u>2x</u>	Yellow	Manual calibration (Start by turn to unlock) Turn the Danalock completely into unlocked position, then click twice. Wait 5 seconds until it flashes yellow, then turn the Danalock into locked position and click once.
<u>3x</u>	White	Auto calibration Turn the Danalock manually until the door is unlocked and leave the door open while calibrating. Lift the handle if needed. Now click 3 times, after 5 seconds the Danalock will calibrate.
<u>7x</u>		Cancel If you make a wrong number of clicks you can cancel by clicking 7 times.
<u>10x</u>	Red	Reset the Danalock This action will delete all settings in the Danalock. Click 10 times, wait 5 seconds - now the Danalock blinks red and reset.

