

**Tools needed**

To mount the Danalock you need a Philips screwdriver and two pliers or a wire cutter.

**Parts involved on your existing lock**

**Contents of the Danalock box you'll need for the easy install**

**1. Remove the old door lock**

Remove your current cylinder. Start with removing the rosettes and the screws on both sides of the door. (a) Save the screw with the threaded tube part for later use.

Remember to unscrew the lock-screw in the mortise-plate on the side of the door. (b)

Insert your key and turn it so the cam lines up with the body of the cylinder and pull it out.(c)

**3. Adjust the new cylinder**

Measure the back part of the old cylinder from the middle of the screwhole and away (see illustration).

In the Danalock box you'll find an adjustable lock cylinder.

**4. Just unscrew the small screws on both sides of the part you want to remove and pull the cylinder apart.**

**5. Insert new brass tube and spacer piece**

Remove too big spacer piece and brass tube

Please look at the size guide to the right to find the length for the spacer piece and brass tube.

**6. Assemble the cylinder and screw the tiny screws back in.**

**7. Size guide**

When you remove one or more parts of the cylinder you'll have to exchange the brass tube in the center with another that fits the new measurements.

here is the different combinations.

Fits min. 35 mm	=	+
Fits min. 40 mm	=	+7
Fits min. 45 mm	=	+10
Fits min. 50 mm	=	+15
Fits min. 55 mm	=	+22
Fits min. 60 mm	=	+25
Fits min. 65 mm	=	+32

The adjustable cylinder as it is in the box



**8. Insert the new cylinder**  
 Insert the new cylinder, and re-insert the lock-screw in the mortise-plate. (b)

**12. Mounting the back plate on the door**  
 Insert the screw that originally held the lock on top of the rosette plate on the front of the door, and insert the threaded tube that matched it.

**13. Insert the second screw**  
 Now insert the long screw from the box on the inside of the door and insert the threaded tube from the box on the outside.

Rosette plate on the front side of the door

**15. Give the tailpiece the right length**  
 To avoid damaging the danalock you will have to shorten the new cylinder tailpiece to max. 35 mm from the door surface.  
 Use two pliers or a wire cutter to shorten the tailpiece.

**16. Attach the tailpiece adaptor**  
 Choose the right tailpiece adaptor from the Danalock box.  
 The green tailpiece adaptor is designed to match the adjustable cylinder.  
 Insert the tailpiece adaptor, in the center tube on the backside of the Danalock.  
 Press on the adaptor until a click ensures it is fixed firmly to the Danalock.

**17. Fit the tailpiece to the middle of the housing base**  
 Fit the Danalock over the back plate.  
 Make sure the tailpiece hits the slide in the middle of the adaptor.

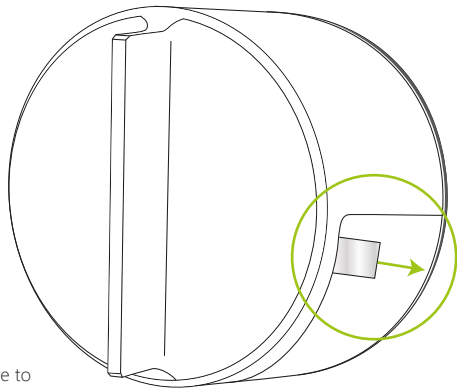
**18. Align the platemarks**  
 Find the small marking on the edge of the backplate and align the mark on the back of the Danalock baseplate with it.  
 Now you are sure to hit the notches on the backplate with the Danalock.

**19. Fasten the Danalock**  
 Turn the Danalock clockwise until it clicks to fasten it to the back plate.  
 NOTE: If you need to unfasten and retry, see "Uninstall instructions" at the end of the manual.



## 20. Activate batteries

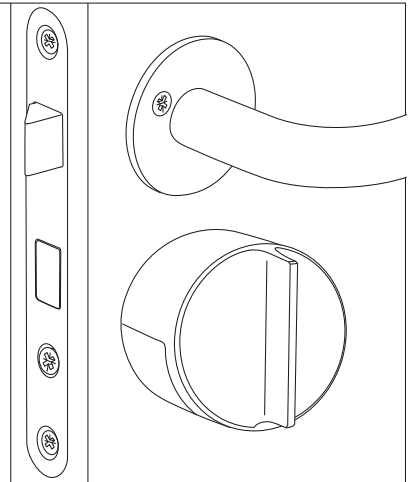
Pull out the plastic tab to activate the batteries. A light will flash to confirm the Danalock is ready.



Note: If the batteries are disconnected, you will have to re-calibrate the Danalock.

## 21. Before downloading the app

Your Danalock is now attached to the door. Download and open the Danalock app to finish setting it up. Leave the door open, so the lock isn't influenced when calibrated.



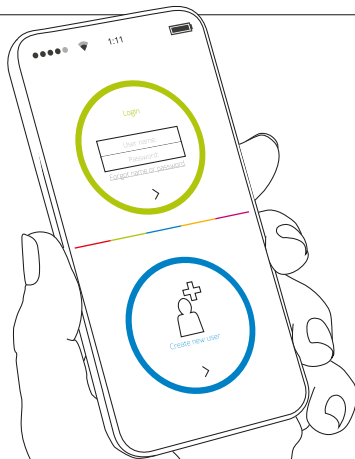
## 22. Download the Danalock App

Go to Google Play or App Store and download the Danalock App.

When the app is installed you create a user profile by pressing the blue ring. You will use this profile each time you sign into the app.

Next you need to press "Menu" in the top right corner, and the press "Add lock".

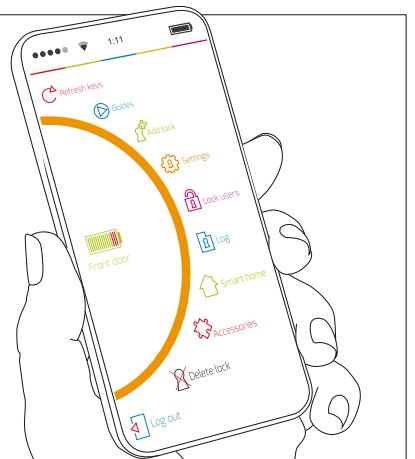
A guide will now lead you through the installation and configuration of your Danalock.



## 23. Add the lock in the app

Next you need to press "Menu" in the top right corner, and the press "Add lock".

A guide will now lead you through the installation and configuration of your Danalock.



## 23. Dismount instructions

If at any time you need to dismount the Danalock from your door, insert a pen tip into the hole at the top inner edge of the lock and press while turning the lock counter-clockwise until the lock releases.

This will not reset the lock or disconnect it from your account, but the lock may need to be re-calibrated if fastened to your door again.

